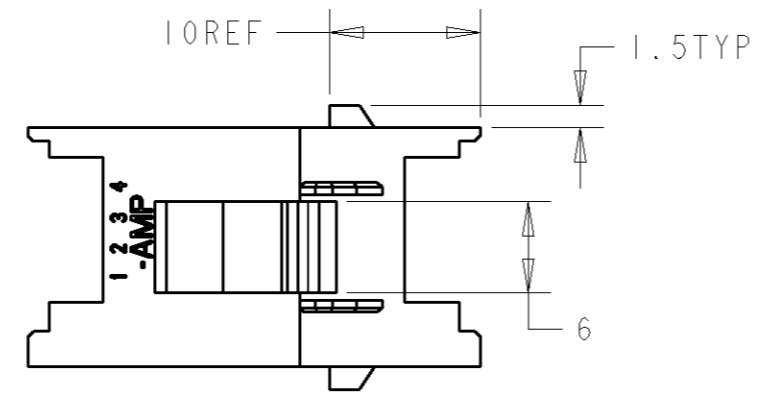
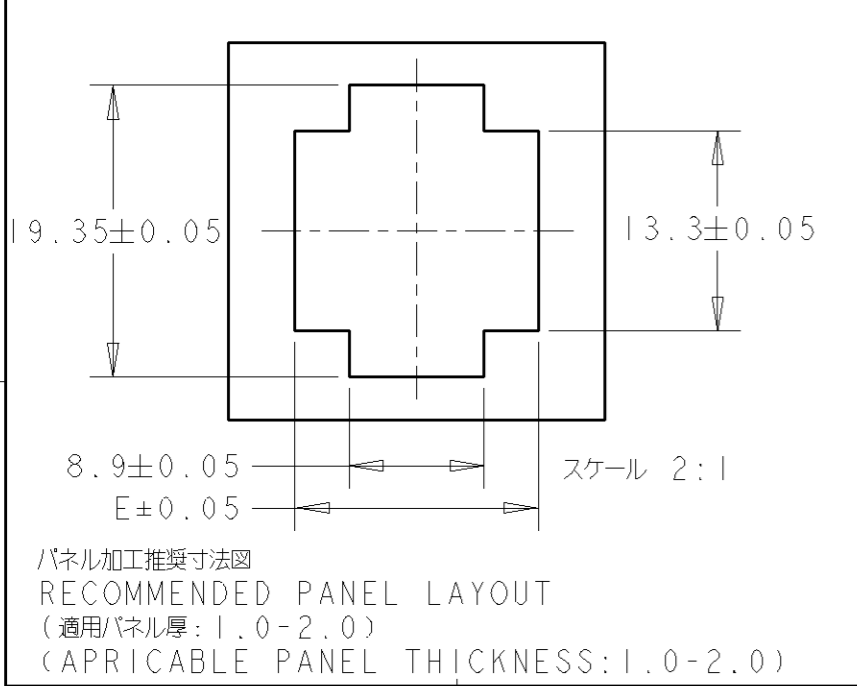
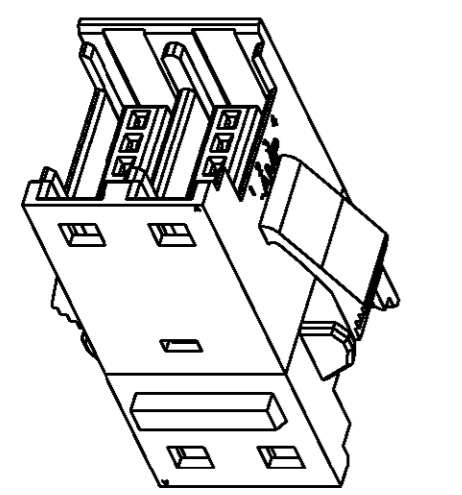
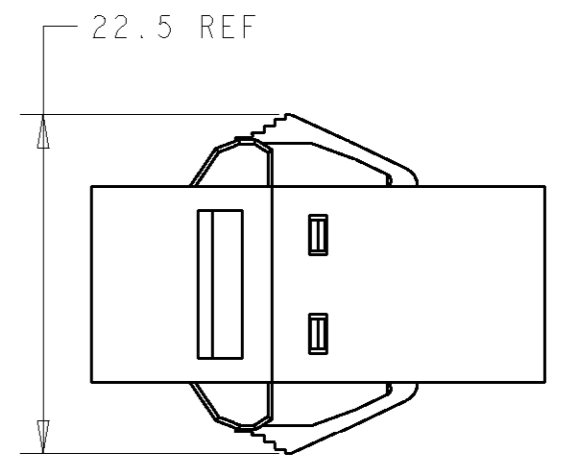
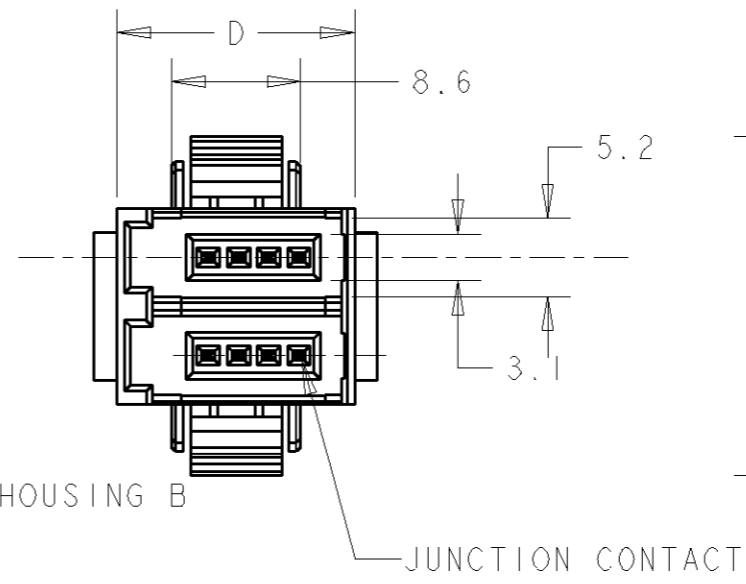
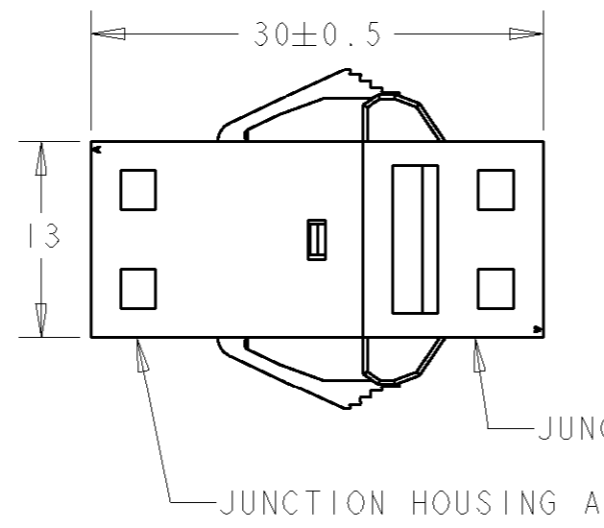
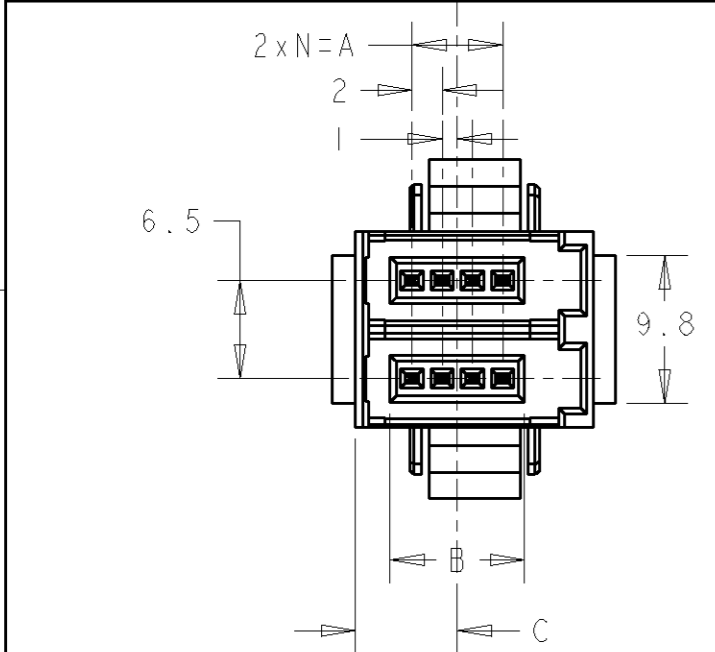


THIS DRAWING IS UNPUBLISHED. RELEASED FOR PUBLICATION 20
 © COPYRIGHT 20 BY TYCO ELECTRONICS CORPORATION. ALL RIGHTS RESERVED.

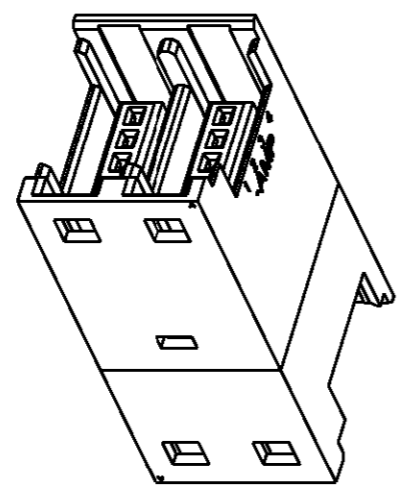
LOC	DIST	REVISIONS						
		P	LTR	DESCRIPTION	DATE	DWN	APVD	
J	-		0	RELEASED	FJ00-1726-01	10SEP2001	D.M	S.M



注記
 1: 材料: ハウジング: ガラス入り熱可塑性ポリエステル樹脂, 94V-0, 黒
 コンタクト: 銅合金
 2: メッキ: コンタクト: 全面Ni下地
 接点部: 0.2μm MIN 金メッキ
 3: 金属パネルの場合, コネクタ取付方向を/パンチ加工方向にしてください。
 4: プラスチックパネルの場合, 穴端部にR無き様ご配慮ください。
 NOTE
 1: MATERIAL. HOUSING: GLASS FILED THERMPLASTIC, 94V-0, BLACK
 CONTACT. COPPER ALLOY
 2: FINISH. UNDERPLATE: Ni 1.27μm min.
 CONTACT AREA: Au 0.2μm min.
 3: INSERT CONN. FROM PRESS DIRECTION SIDE FOR METAL PANEL.
 4: EDGE OF THICKNESS WAY MUST NOT ROUND FOR MOLDED PANEL.



-1, -2 P/M TYPE
 スケール 2:1



5- -1, 5- -2 F/H TYPE
 スケール 2:1

F/H	16.1	15.8	6.75	8.9	6	3	4	5-1473574-4
F/H	14.1	13.8	5.75	6.9	4	2	3	5-1473574-3
P/M	16.1	15.8	6.75	8.9	6	3	4	1473574-4
P/M	14.1	13.8	5.75	6.9	4	2	3	1473574-3
TYPE	E	D	C	B	A	N	POS	P/N

THIS DRAWING IS A CONTROLLED DOCUMENT FOR TYCO ELECTRONICS CORPORATION
 IT IS SUBJECT TO CHANGE AND THE CONTROLLING ENGINEERING ORGANIZATION
 SHOULD BE CONTACTED FOR THE LATEST REVISION.

DIMENSIONS:	TOLERANCES UNLESS OTHERWISE SPECIFIED:	DWN	10SEP2001	Tyco Electronics AMP K.K. Kawasaki, Japan
mm		CHK	D. MITSUGI	
		APVD	S. MANABE	
			S. MANABE	
	0 PLC ± ±0.2	PRODUCT SPEC	108-5765	NAME
	1 PLC ± ±3°	APPLICATION SPEC	-	JUNCTION BOX (4D)
	2 PLC ± ±3°			FOR E-CON
	3 PLC ± ±			- RITS CONN. -
	4 PLC ± ±			
	ANGLES ± ±	WEIGHT	-	SIZE
MATERIAL	FINISH			A3
		CUSTOMER DRAWING		CAGE CODE
				00779
				DRAWING NO
				©=1473574
				RESTRICTED TO
				-
				SCALE
				2:1
				SHEET
				1
				OF
				1
				REV
				0